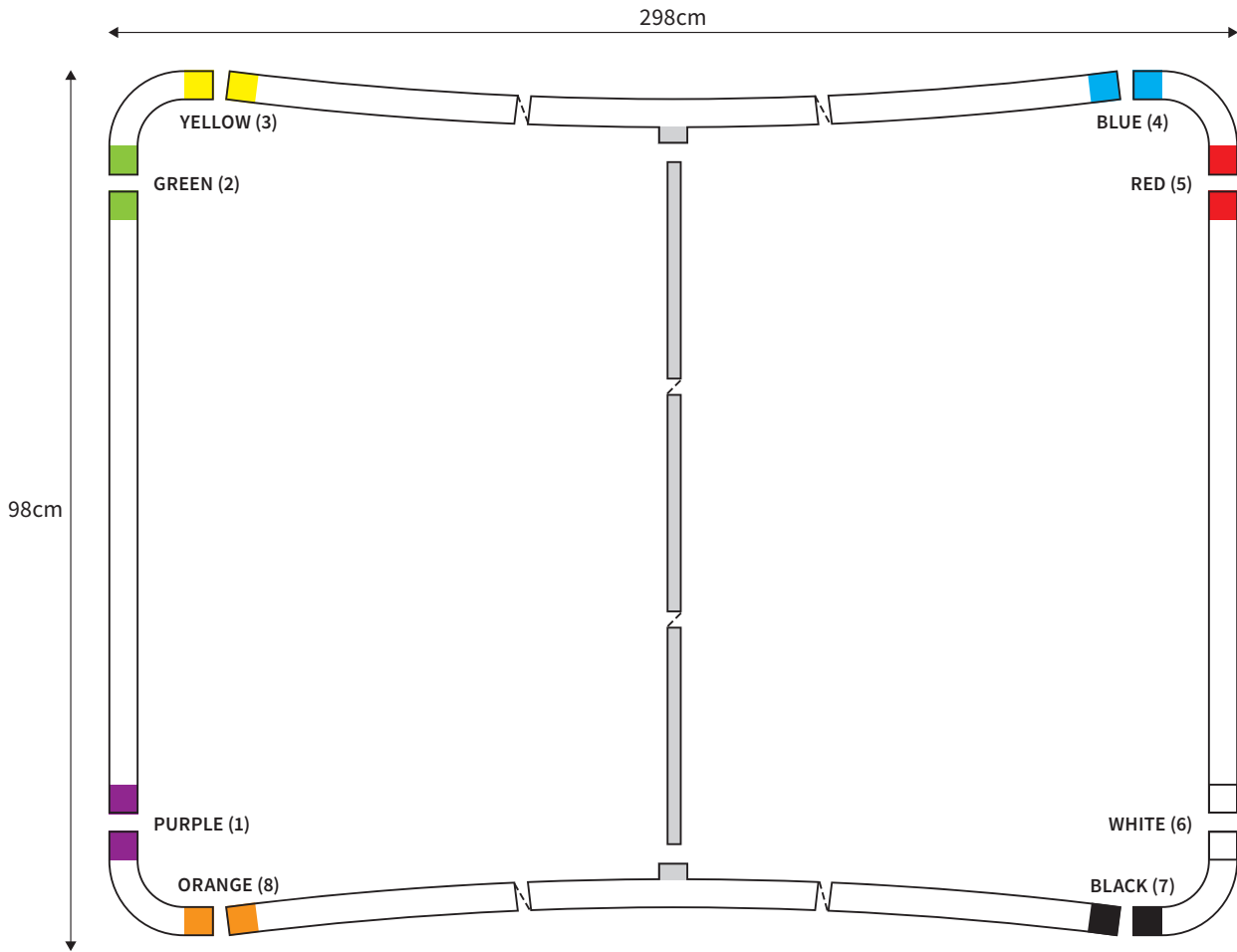






# MANUAL

**SHAPE** CURVED  
**WIDTH** 298cm  
**HEIGHT** 98cm

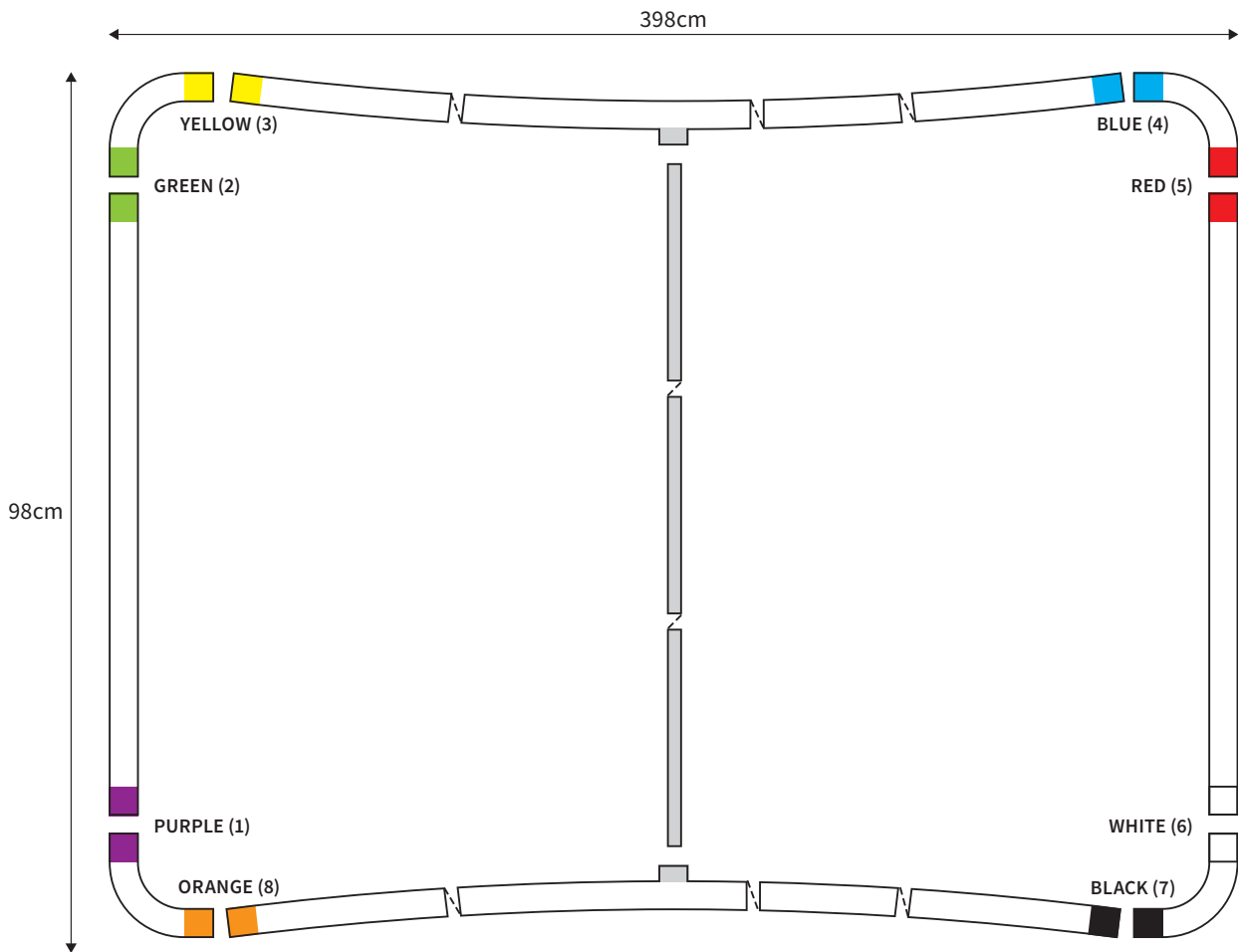






## PARTS LIST

	4x	<b>CORNER</b>		2x	<b>TUBE VERTICAL ( ø 3cm )</b>
	2x	<b>TUBE HORIZONTAL ( ø 3cm )</b>		1x	<b>TUBE SUPPORT ( ø 2cm )</b>

# MANUAL

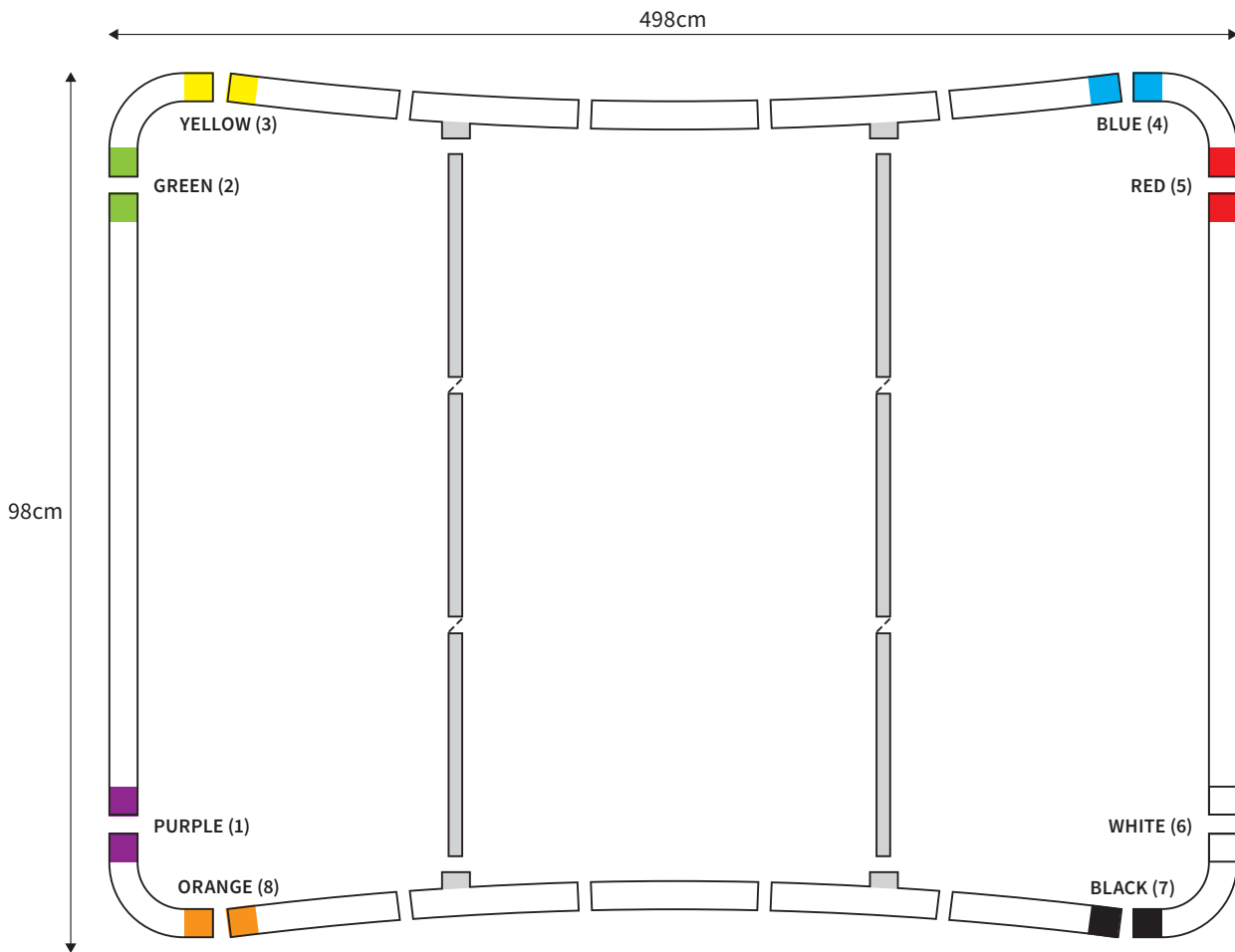
**SHAPE** CURVED  
**WIDTH** 398cm  
**HEIGHT** 98cm



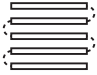



PARTS LIST					
	4x	CORNER		2x	TUBE VERTICAL ( ø 3cm )
	2x	TUBE HORIZONTAL ( ø 3cm )		1x	TUBE SUPPORT ( ø 2cm )

# MANUAL

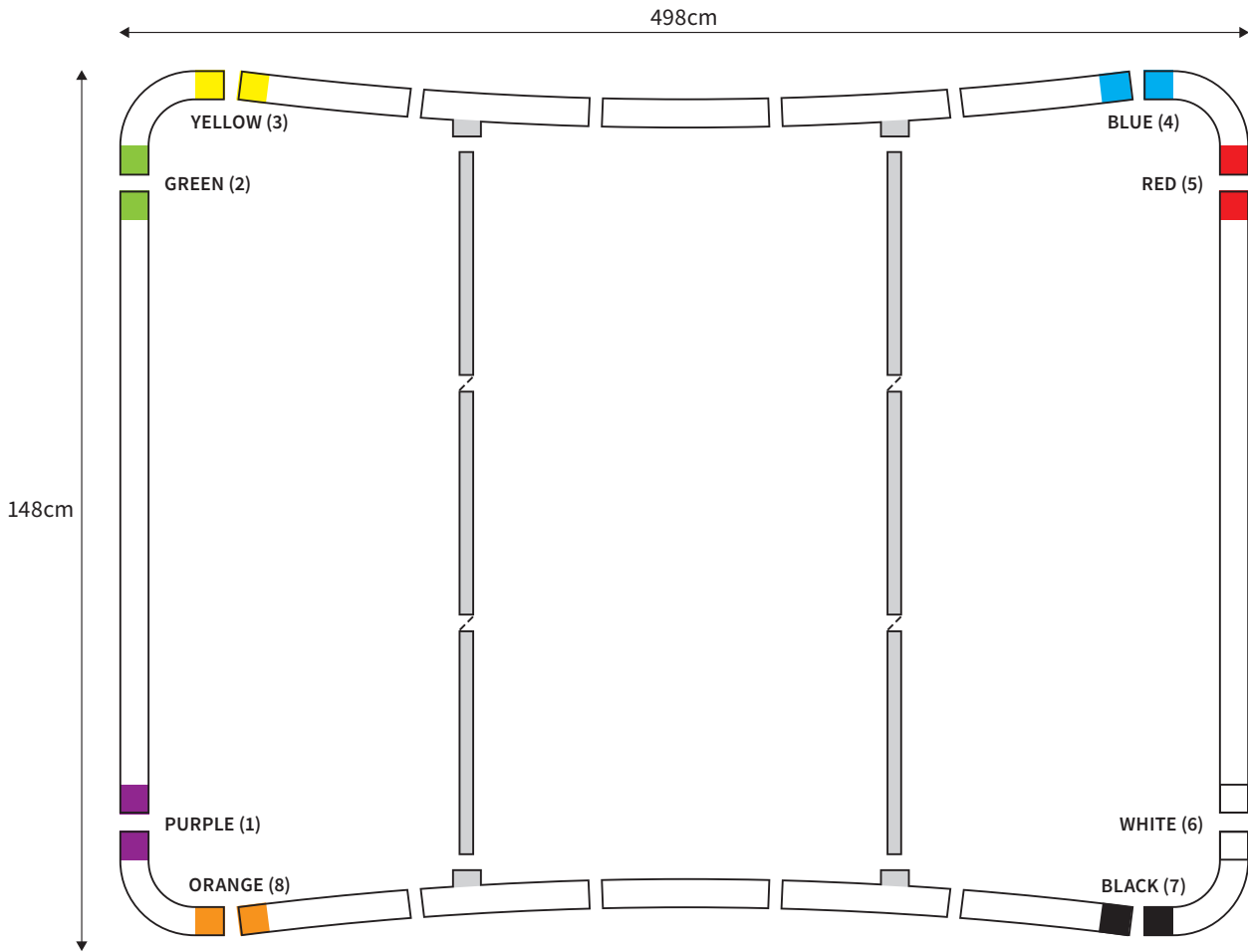
**SHAPE** CURVED  
**WIDTH** 498cm  
**HEIGHT** 98cm



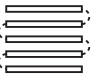



PARTS LIST					
	4x	CORNER		2x	TUBE VERTICAL ( ø 3cm )
	2x	TUBE HORIZONTAL ( ø 3cm )		2x	TUBE SUPPORT ( ø 2cm )

# MANUAL

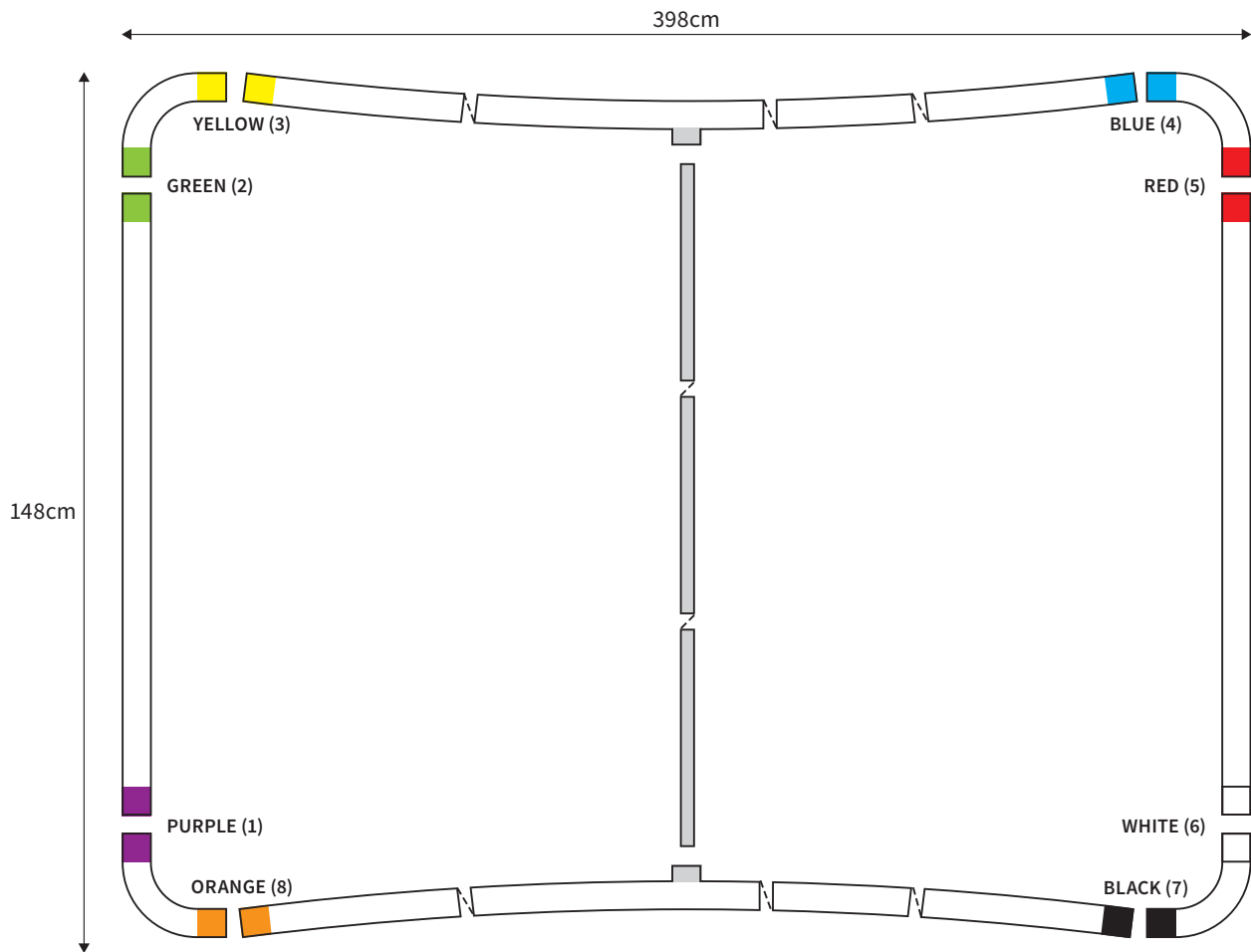
**SHAPE** CURVED  
**WIDTH** 498cm  
**HEIGHT** 148cm







PARTS LIST					
	4x	CORNER		2x	TUBE VERTICAL ( ø 3cm )
	2x	TUBE HORIZONTAL ( ø 3cm )		2x	TUBE SUPPORT ( ø 2cm )

# MANUAL

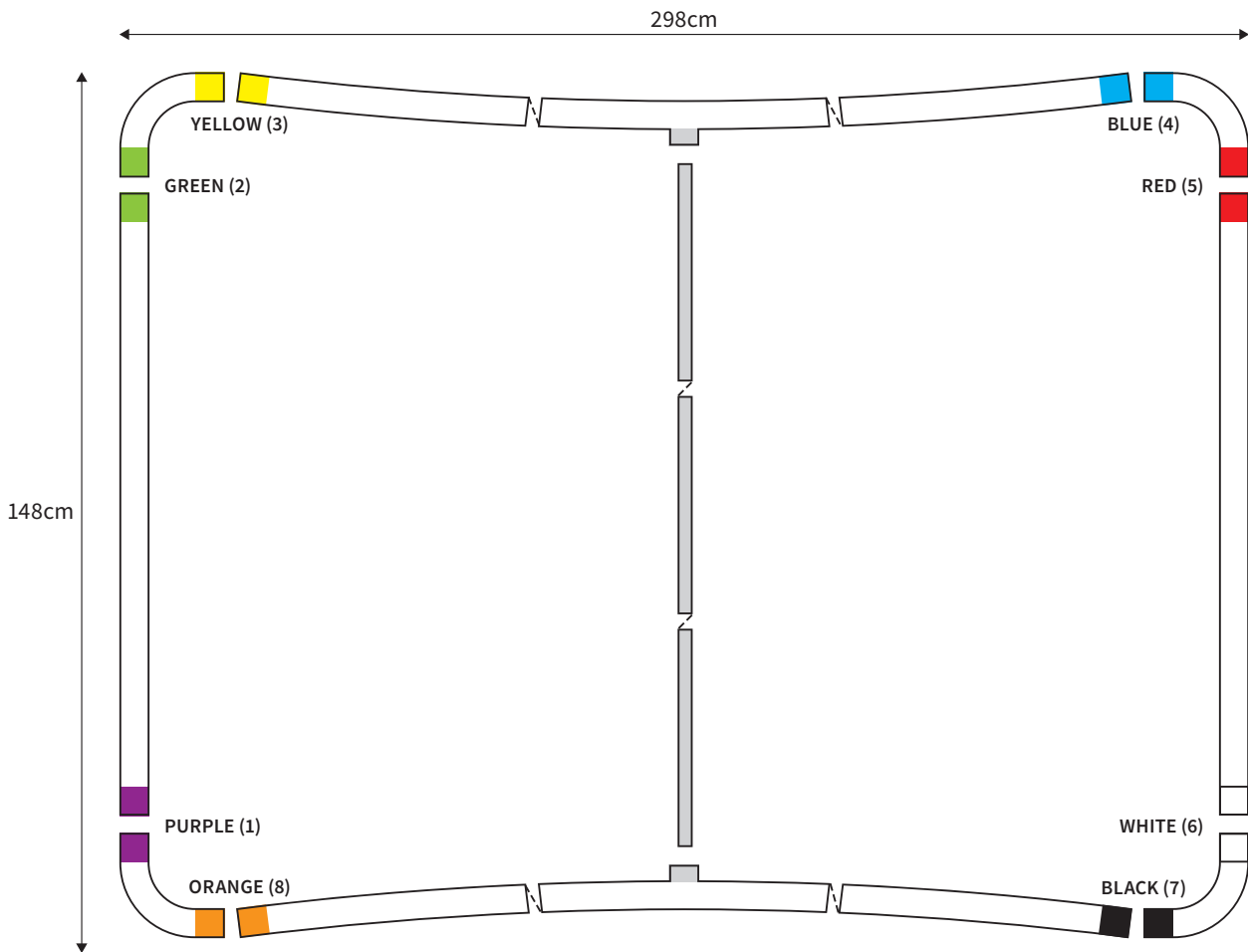
**SHAPE** CURVED  
**WIDTH** 398cm  
**HEIGHT** 148cm



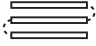



PARTS LIST					
	4x	CORNER		2x	TUBE VERTICAL ( ø 3cm )
	2x	TUBE HORIZONTAL ( ø 3cm )		1x	TUBE SUPPORT ( ø 2cm )

# MANUAL

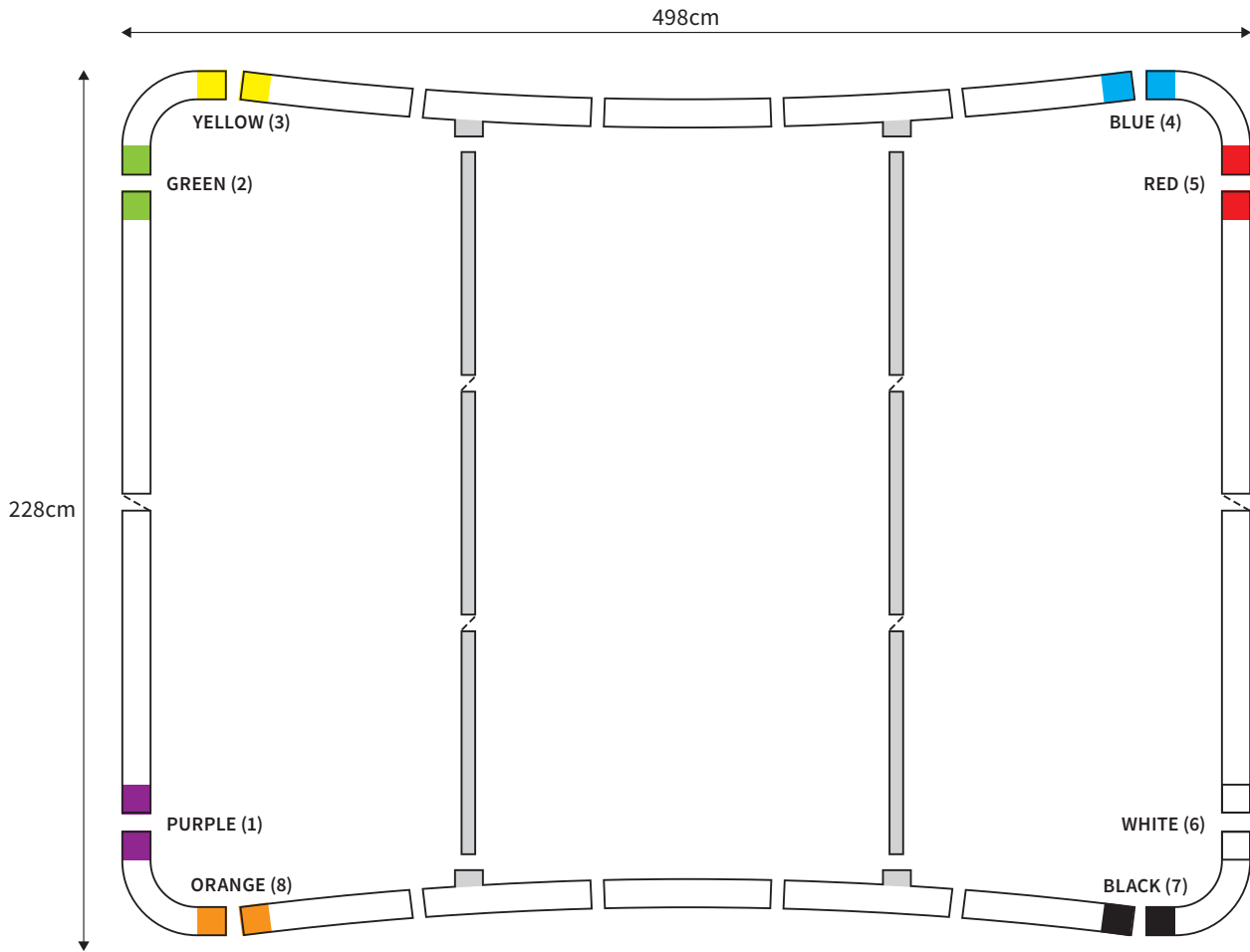
**SHAPE** CURVED  
**WIDTH** 298cm  
**HEIGHT** 148cm



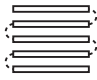



PARTS LIST					
	4x	CORNER		2x	TUBE VERTICAL ( ø 3cm )
	2x	TUBE HORIZONTAL ( ø 3cm )		1x	TUBE SUPPORT ( ø 2cm )

# MANUAL

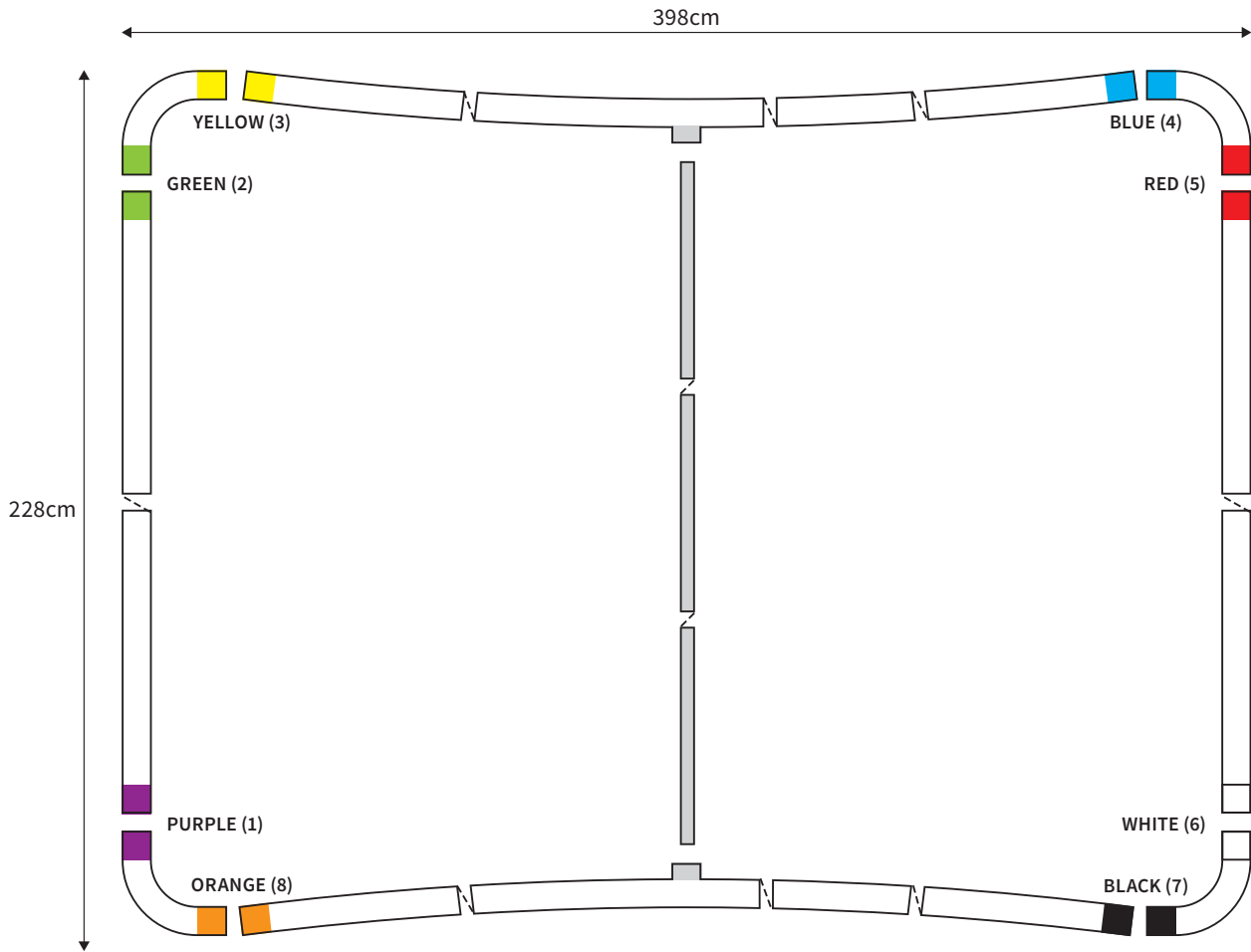
**SHAPE** CURVED  
**WIDTH** 498cm  
**HEIGHT** 228cm




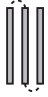


PARTS LIST					
	4x	CORNER		2x	TUBE VERTICAL ( ø 3cm )
	2x	TUBE HORIZONTAL ( ø 3cm )		2x	TUBE SUPPORT ( ø 2cm )

# MANUAL

**SHAPE** CURVED  
**WIDTH** 398cm  
**HEIGHT** 228cm

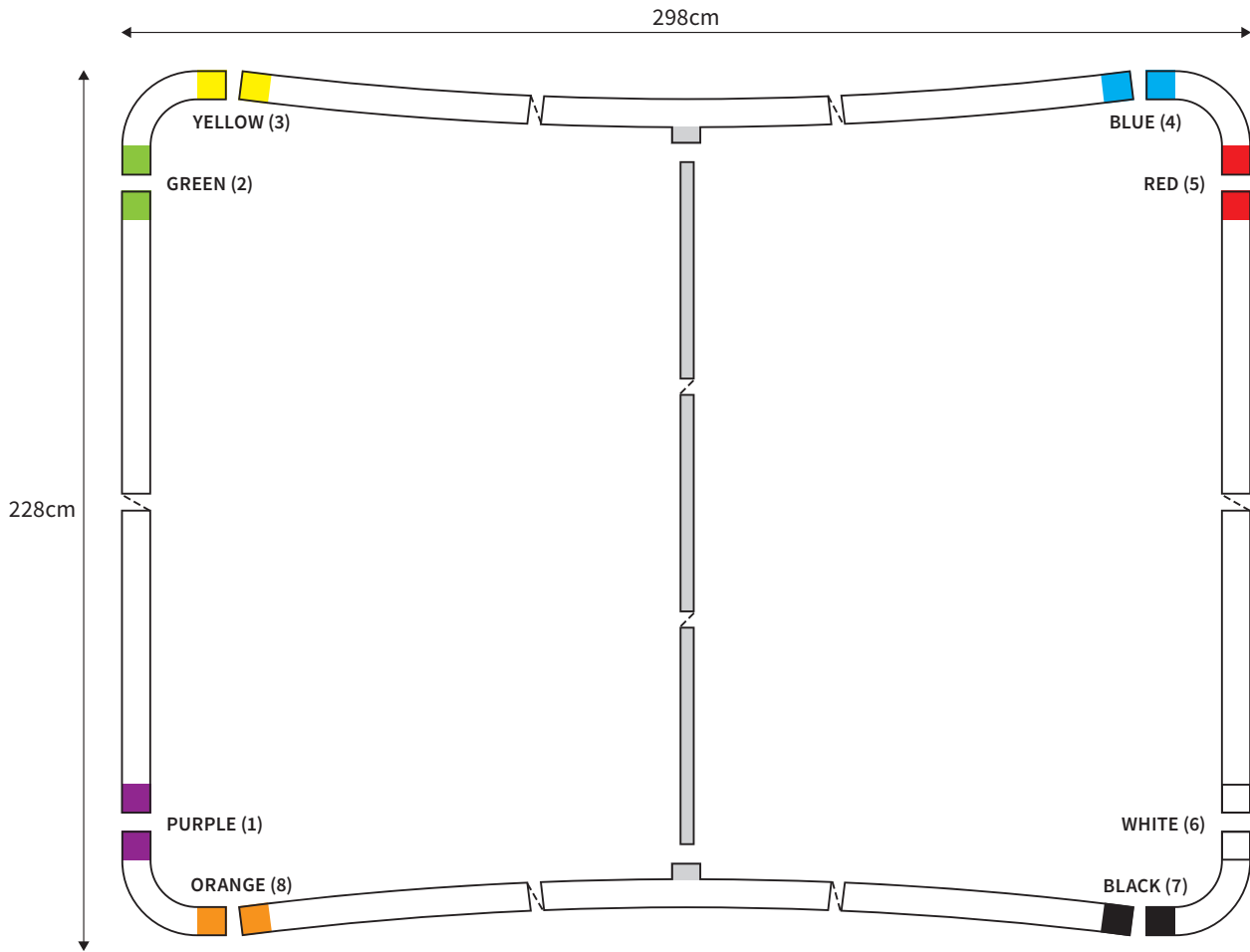


PARTS LIST					
	4x	CORNER		2x	TUBE VERTICAL ( ø 3cm )
	2x	TUBE HORIZONTAL ( ø 3cm )		1x	TUBE SUPPORT ( ø 2cm )




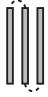


# MANUAL

**SHAPE** CURVED  
**WIDTH** 298cm  
**HEIGHT** 228cm



## PARTS LIST

	4x	CORNER		2x	TUBE VERTICAL ( ø 3cm )
	2x	TUBE HORIZONTAL ( ø 3cm )		1x	TUBE SUPPORT ( ø 2cm )